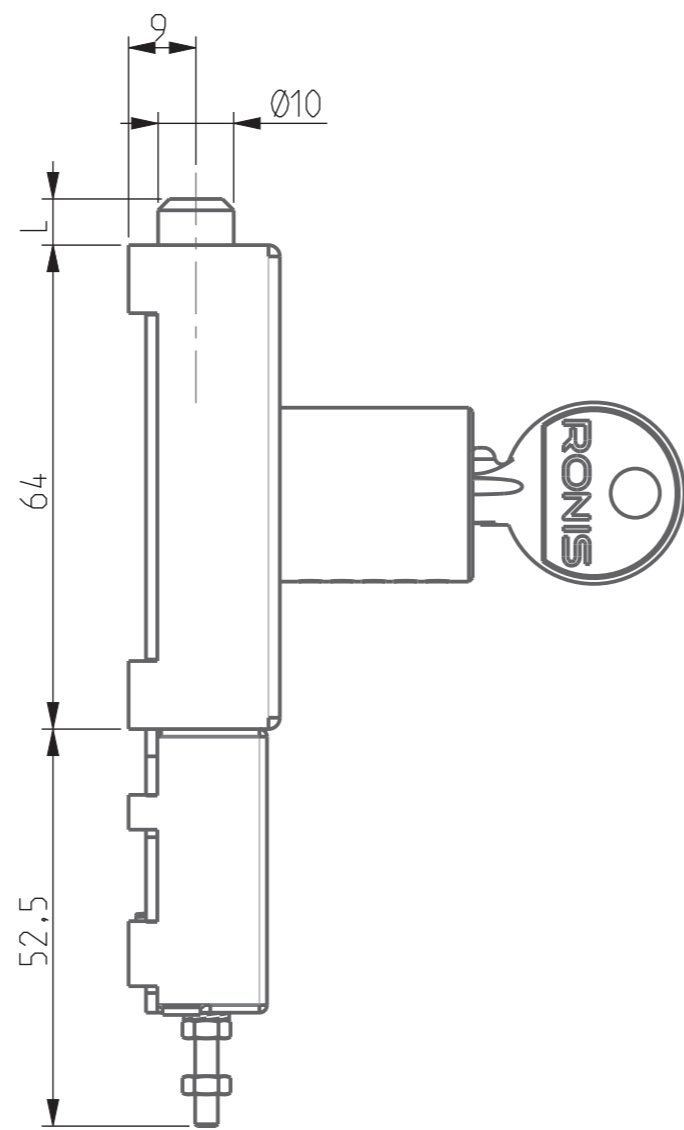
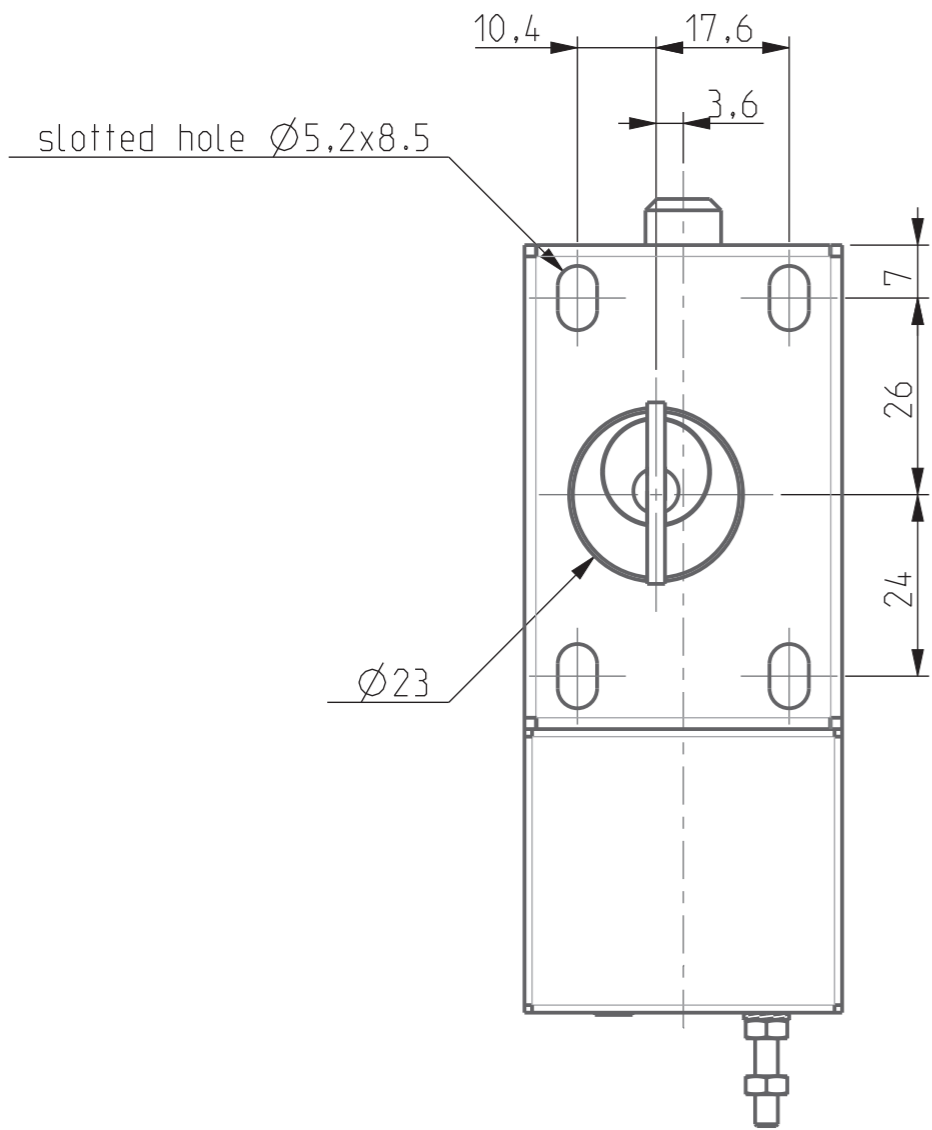
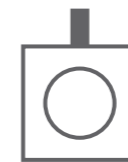


A=25.5 for asymmetric key
 A=28.4 for reversible key



Initial Position



Final Position

